

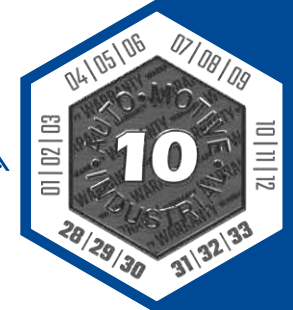


# 3,6 CLASSIC

TWO POST HYDRAULIC LIFT



Personal cars and commercial vehicles	
Loading capacity [kg]	<b>3600</b>
Maximum clearance height [mm]	<b>3550</b>
Clearance width [mm]	<b>2220</b>
Maximum height of arm [mm]	<b>1870</b>
Minimum height of arm [mm]	<b>90</b>
Motor [kW]	<b>2,2</b>



- LOADING CAPACITY 3600 kg
- ASYMMETRIC DESIGN
- HYDRAULIC DRIVE HIGHLY EFFICIENT AND ECONOMICAL
- ERGONOMIC POWER PACK COVER
- HEIGHT LIMIT CONTROL SWITCH TO PROTECT THE CAR
- SET OF TRUCK ADAPTORS 50 mm AND 100 mm
- EASY OPERATION
- CZECH MADE
- LIFTS ARE DESIGNED AND MANUFACTURED IN ACCORDANCE WITH ČSN EN 1493-2010

DEVICE BENEFITS



HEIGHT 3670 mm

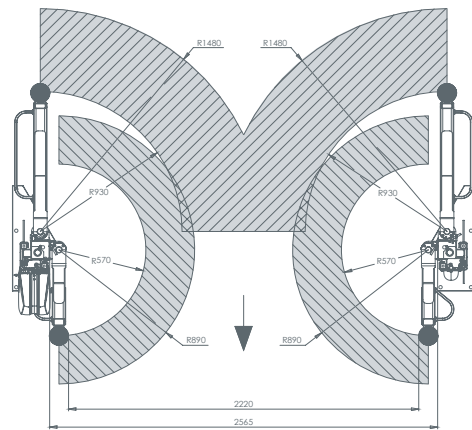


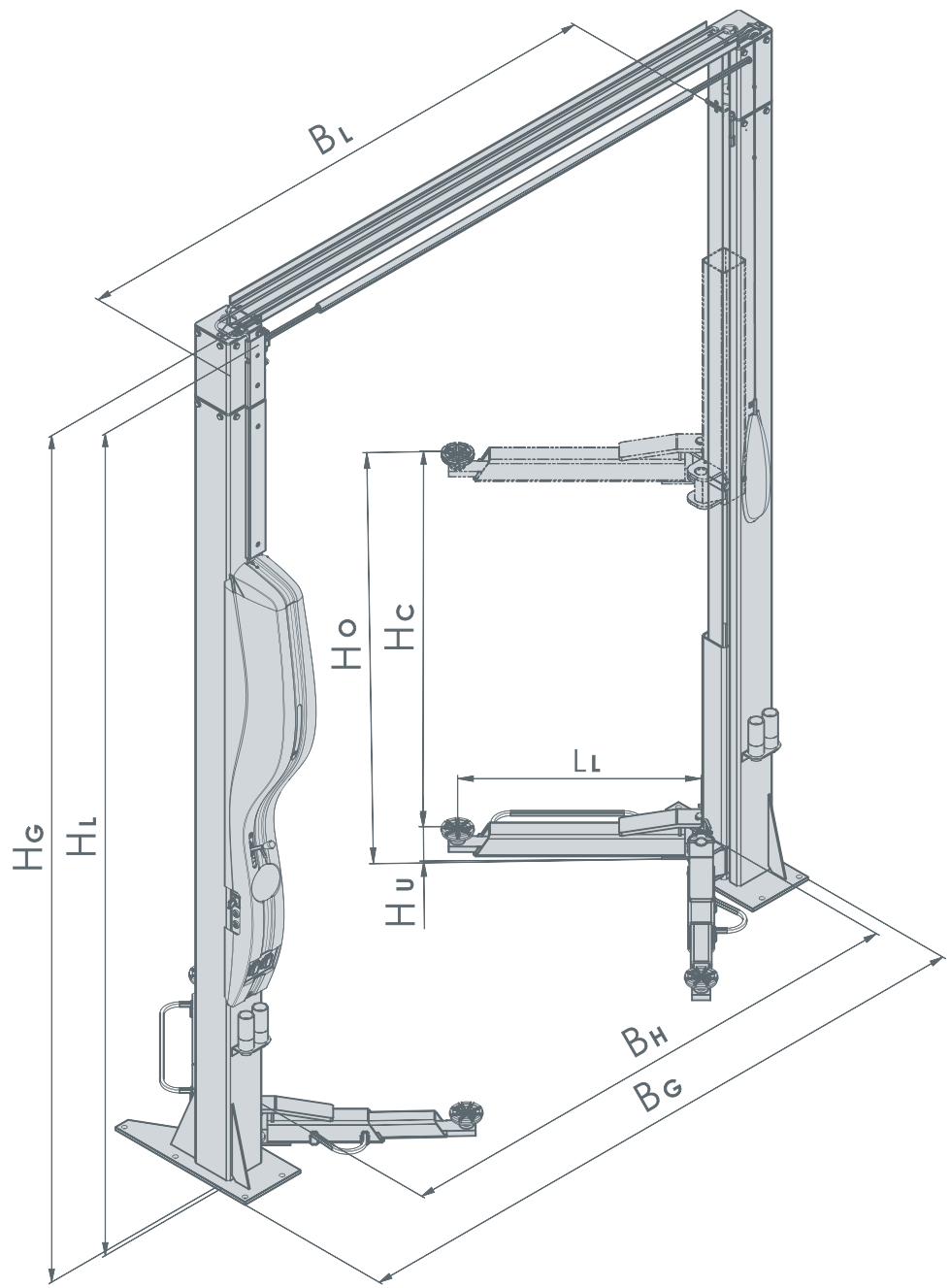
ELECTRO BOX EB3 (ACCESSORIES)



PROPORTIONAL LIFT REGULATION

DEVICE SCHEMA

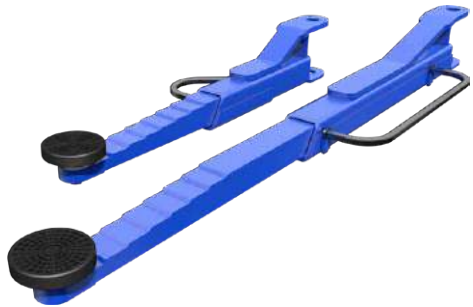




	AMI 3,0 ECO LINE	AMI 3,6 CLASSIC* AMI 4,0 VARIANT	AMI 4,0 PREMIUM
Maximum loading capacity	3000 kg	3600 kg*/4000 kg	4000 kg
Maximum lifting time	32 s	41 s	45 s
Minimum lowering time	21 s	24 s	26 s
Power system	TN-S 3/N/PE 400/230V AC, 50 Hz		
Motor	2,2 kW		
Maximum height of arm $H_0$	1901 mm	1870 mm	2005 mm
Minimum height of arm $H_0$	90 mm	90 mm	90 mm
Maximum clearance height $H_L$	3650 mm	3550*/3880/4080/ 4280/4530 mm	3950/4280/4480/ 4680 mm
Total height $H_c$	3740 mm	3670*/4000/4200/ 4400/4650 mm	4100/4400/4600/ 4800 mm
Maximum clear distance of posts $B_L$	2565 mm	2565 mm	2850 mm
Maximum clearance width $B_H$	2220 mm	2220 mm	2505 mm
Total width $B_c$	3035 mm	3035 mm	3320 mm
Extension of short arm $L_x$	570 mm - 890 mm	570 mm - 890 mm	570 - 890 mm
Extension of long arm $L_L$	930 mm - 1480 mm	930 mm - 1480 mm	930 - 1480 mm
Thickness of slab	160 mm	200 mm	200 mm

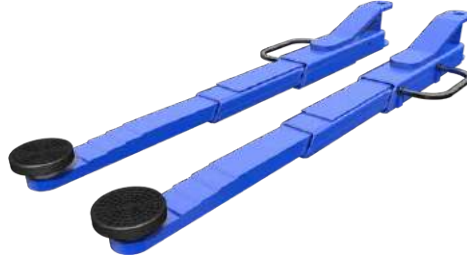
- \*no extension possibility
- right to make technical changes reserved

2 stage arms (short / long)



**Application:**  
AMI 3,0 ECO LINE  
AMI 3,6 CLASSIC  
AMI 4,0 VARIANT  
AMI 4,0 PREMIUM

3 stage arms



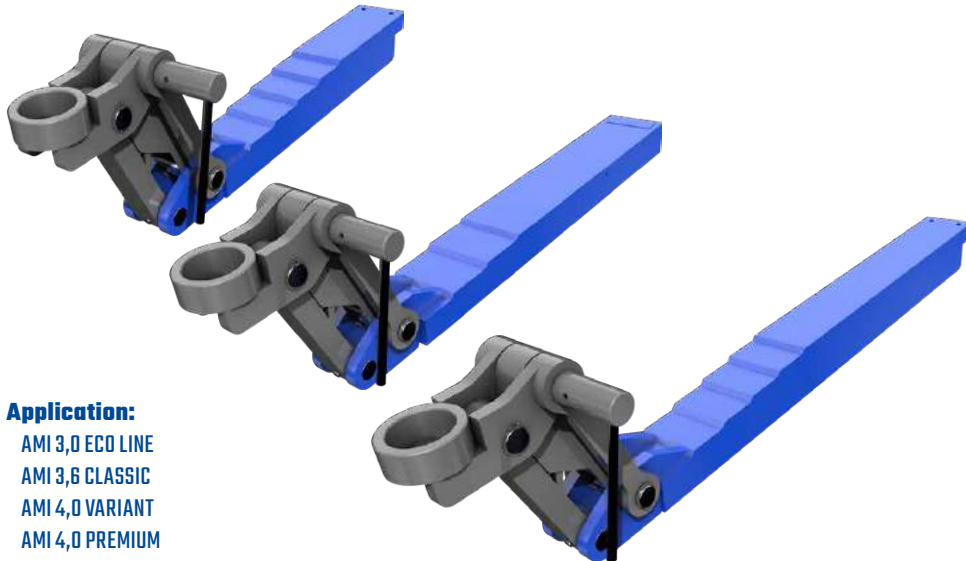
**Application:**  
AMI 3,0 ECO LINE  
AMI 3,6 CLASSIC  
AMI 4,0 VARIANT  
AMI 4,0 PREMIUM

EB-4 with integrated socket 3Ph/400/16



**Application:**  
AMI 3,0 ECO LINE  
AMI 3,6 CLASSIC  
AMI 4,0 VARIANT  
AMI 4,0 PREMIUM

Adjustable pads



**Application:**  
AMI 3,0 ECO LINE  
AMI 3,6 CLASSIC  
AMI 4,0 VARIANT  
AMI 4,0 PREMIUM

Button operation control



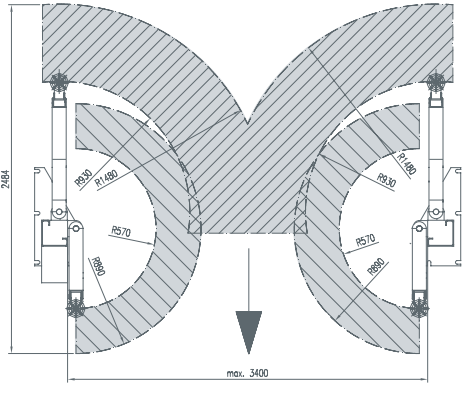
**Application:**  
AMI 3,6 CLASSIC  
AMI 4,0 VARIANT  
AMI 4,0 PREMIUM





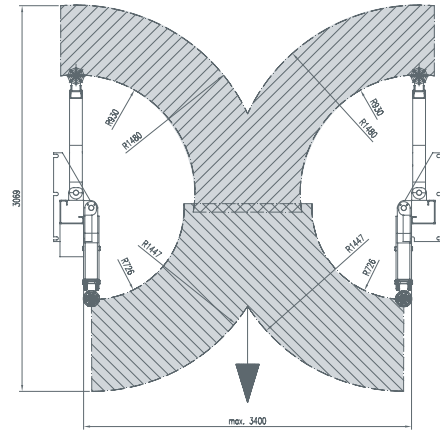
# MODEL CONFIGURATIONS

## Standard configurations



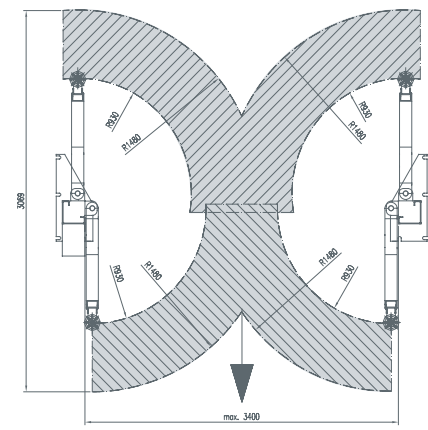
**Application:**  
 AMI 3,0 ECO LINE      AMI 4,0 VARIANT  
 AMI 3,6 CLASSIC      AMI 4,0 PREMIUM

## 2 x 3 stage arms 2 x 2 stage arms long



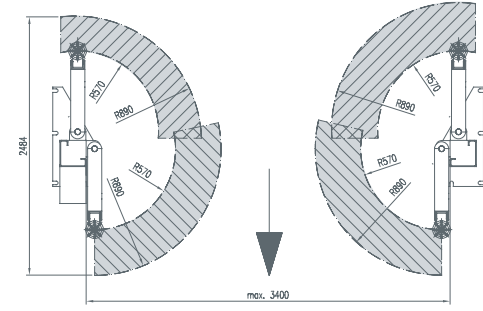
**Application:**  
 AMI 3,0 ECO LINE      AMI 4,0 VARIANT  
 AMI 3,6 CLASSIC      AMI 4,0 PREMIUM

## 4 x 2 stage arms long



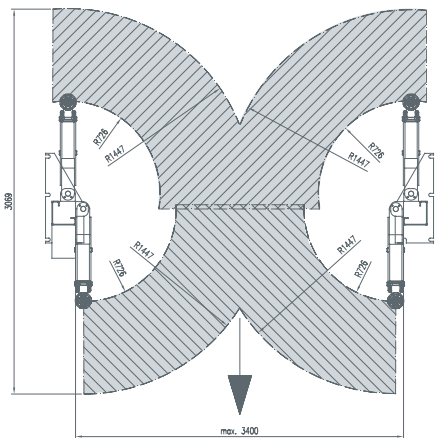
**Application:**  
 AMI 3,0 ECO LINE      AMI 4,0 VARIANT  
 AMI 3,6 CLASSIC      AMI 4,0 PREMIUM

## 4 x 2 stage arms short



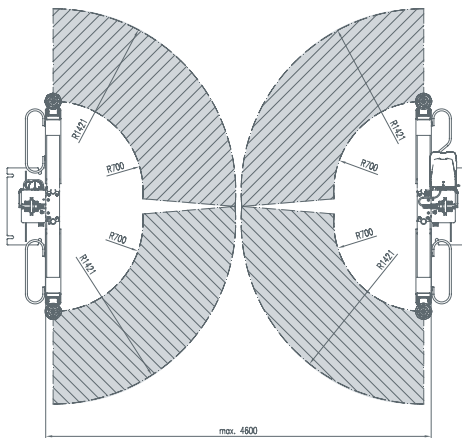
**Application:**  
 AMI 3,0 ECO LINE      AMI 4,0 VARIANT  
 AMI 3,6 CLASSIC      AMI 4,0 PREMIUM

## 4 x 3 stage arms



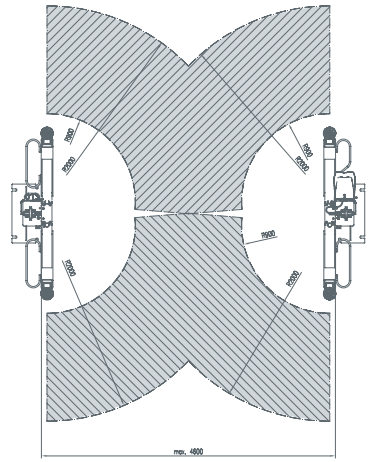
**Application:**  
 AMI 3,0 ECO LINE      AMI 4,0 VARIANT  
 AMI 3,6 CLASSIC      AMI 4,0 PREMIUM

## 4 x 3 stage arms



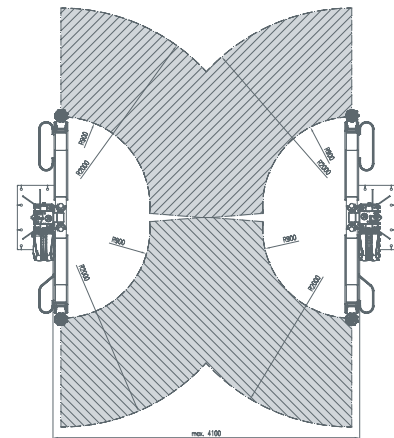
**Application:**  
 AMI 5,5 VAN

## 4 x 3 stage arms EX



**Application:**  
 AMI 5,5 VAN

## 4 x 3 stage arms (standard)



**Application:**  
 AMI 6,5 BUS  
 AMI 8,0 BUS

AMI 3,0 ECO LINE	AMI 3,6 CLASSIC	AMI 4,0 VARIANT	AMI 4,0 PREMIUM	AMI 5,5 VAN	AMI 6,5 BUS	AMI 8,0 BUS	AMI 4,0 N-WAY / IN	AMI 5,5 N-WAY / IN	AMI 5,5 / 7,5 TRUCK	AMI J 2,0 / 2,5 / 3,2 RH / VH
------------------	-----------------	-----------------	-----------------	-------------	-------------	-------------	--------------------	--------------------	---------------------	-------------------------------



# TECHNICAL SPECIFICATION

TWO POST HYDRAULIC LIFT

COLOUR OF THE LIFTS ACCORDING END-USER REQUEST, RAL CLASSIFICATION AS REFERENCE



AMI 4,0 N-WAY / IN    AMI 5,5 N-WAY / IN    AMI 5,5 / 7,5 TRUCK    AMI J 2,0 / 2,5 / 3,2 RH / VH

- AMI lifts are typically delivered pre-assembled and packed in heavy transport resistant frame.
- To put on the hand the lift correctly is particularly difficult task. Therefore is strongly recommended that the lift is assembled, fixed on the floor and adjusted by specialists certified by producer.
- The building roof must be higher about 100mm than the total lifting height.
- AMI lifts can be fixed only on top quality concrete floor representing the high quality concrete (the minimum concrete quality mark C20/25 according to DIN 1045:2001-07) slab at:

CONCRETE THICKNESS	TYPE		
160 mm	AMI 3,0 ECO LINE		
200 mm	AMI 3,6 CLASSIC	AMI 4,0 VARIANT	AMI 4,0 PREMIUM
230 mm	AMI 6,5 BUS	AMI 8,0 BUS	
300 mm	AMI 5,5 VAN		

- right to make technical changes reserved
- alternative, on the foundation of the same concrete having the dimensions 1200 by 700 mm (1200 x 1200 mm for AMI 6,5 / 8,0 BUS) under each post and sunk to a minimum depth of 500 mm indoors (800 mm for AMI 6,5 / 8,0 BUS) and 800 mm outdoors (1000 mm for AMI 6,5 / 8,0 BUS).
- There must be an electricity line available at the site complying with the following specifications: TN-S 3/N/PE AC 400V/230V/50 Hz. This power line must be provided with the 16/3/B (20/3/B for AMI 5,5 VAN and AMI 6,5 / 8,0 BUS) amperes contact breaker fuse complying with the characteristics of the electric motor of the lift.
  - Power mains must be executed by a flexible cable type H05VV-F.
  - The oil tank of the lift must be filled with the oil OHHM 32 (the level of filling can be checked through the transparent plastic tank). Tank capacity 8 l (12 l for AMI 6,5 / 8,0 BUS; AMI TRUCK).

TYPE	LENGTH	WIDTH	HIGH	GROSS WEIGHT
AMI 3,0 ECO LINE	3,8 m	1,12 m	0,45 m	520 kg
AMI 3,6 CLASSIC	3,70 m	1,15 m	0,45 m	570 kg
AMI 4,0 VARIANT 3650/4000/4200/4400/4650 mm	max.4,8 m	1,15 m	0,45 m	570/620/625/635/640 kg
AMI 4,0 PREMIUM 4100/4400/4600/4800 mm	max.4,8 m	1,15 m	0,45 m	620/625/635/640 kg
AMI 5,5 VAN 4000/4300/4600/4900/5200/5400 mm	5,7 m	1,15 m	0,52 m	896/921/931/951/964/977 kg
AMI 6,5/8,0 BUS 4350/4700/5000/5200/5400 mm	max.5,05 m	1,15 m	1,01 m	1489/1510/1530/1560/1590 kg

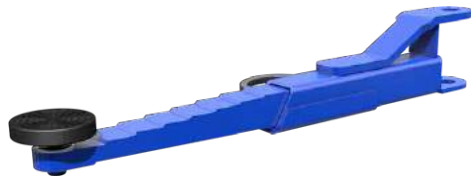
- right to make technical changes reserved

INSTALLATION TECHNICAL DATA

PACKING DIMENSIONS

AMI 3,0 ECO LINE	AMI 3,6 CLASSIC	AMI 4,0 VARIANT	AMI 4,0 PREMIUM	AMI 5,5 VAN	AMI 6,5 BUS	AMI 8,0 BUS
------------------	-----------------	-----------------	-----------------	-------------	-------------	-------------

**2 stage arms short**

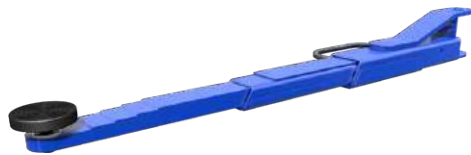


- short 570-890 mm, 092217-00-00

**Application:**

- |                  |                 |
|------------------|-----------------|
| AMI 3,0 ECO LINE | AMI 4,0 VARIANT |
| AMI 3,6 CLASSIC  | AMI 4,0 PREMIUM |

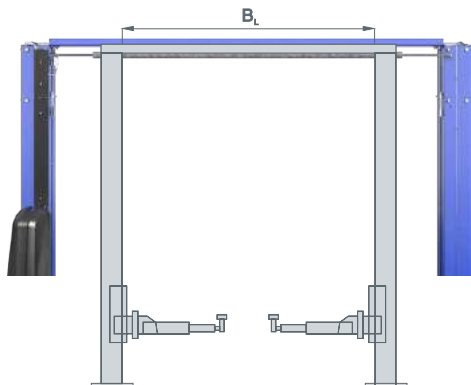
**3 stage arms**



- 726-1447 mm, 092208-00-00

**Application:**

- |                  |                 |
|------------------|-----------------|
| AMI 3,0 ECO LINE | AMI 4,0 VARIANT |
| AMI 3,6 CLASSIC  | AMI 4,0 PREMIUM |



**2 stage arms long**



- long 930-1480 mm, 092212-00-00

**Application:**

- |                  |                 |
|------------------|-----------------|
| AMI 3,0 ECO LINE | AMI 4,0 VARIANT |
| AMI 3,6 CLASSIC  | AMI 4,0 PREMIUM |

**3 stage arms EX**



- 900-2000 mm, 398210-00-00

**Application:**

- AMI 5,5 VAN

**Special lift width**

- Special lift width (dimension in scheme B<sub>L</sub>)

**Application:**

- |                  |                |
|------------------|----------------|
| AMI 3,0 ECO LINE | 0 mm - 3400 mm |
| AMI 3,6 CLASSIC  | 0 mm - 3400 mm |
| AMI 4,0 VARIANT  | 0 mm - 3400 mm |
| AMI 4,0 PREMIUM  | 0 mm - 3400 mm |
| AMI 5,5 VAN      | 0 mm - 4600 mm |
| AMI 6,5/8,0 BUS  | 0 mm - 4100 mm |

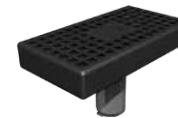
**Rubber pads**



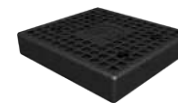
- Rubber pad „ring“  
Ø 125 mm, GPVA  
092294-00-00
- Rubber pad „ring“  
Ø 125 mm, GPVB  
399294-00-00



- Rubber pad with the steel frame GPK  
94218



- Rubber pad „rectangular“  
148x80 mm, GPV0  
092295-00-00



- Rubber pad TRAM „rectangular“  
135x75 mm, GPVOT  
KO-463-15-00, H
- Rubber pad TRAM „rectangular“  
130x120 mm, GPVOT  
KO-463-11-00, I

**Application:**

- |                   |                 |
|-------------------|-----------------|
| AMI 3,0 ECO LINE  | GPV, GPVA, GPV0 |
| AMI 3,6 CLASSIC   | GPV, GPVA, GPV0 |
| AMI 4,0 VARIANT   | GPV, GPVA, GPV0 |
| AMI 4,0 PREMIUM   | GPV, GPVA, GPV0 |
| AMI 5,5 VAN       | GPV, GPVA, GPV0 |
| AMI 6,5/8,0 BUS   | GPVB            |
| AMI 5,5/7,5 TRUCK | GPVOT           |

**Adapters for commercial vehicles**



- Adapter „PIN“  
398294-00-00, A
- Adapter „PIN“  
397298-00-00, D



- Adapter „V“  
398295-00-00, B
- Adapter „V“  
397299-00-00, E



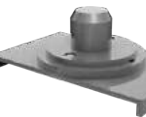
- Adapter „U I“  
398297-00-00, F



- Adapter „U II“  
398298-00-00, G



- Adapter „ring“  
398296-00-00, C



- Adapter „PIN“  
391225-00-00, J

**Application:**

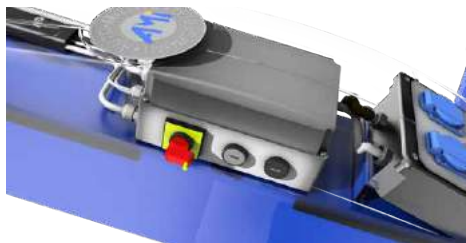
- |                   |           |
|-------------------|-----------|
| AMI 3,0 ECO LINE  | A/B/C/F/G |
| AMI 3,6 CLASSIC   | A/B/C/F/G |
| AMI 4,0 VARIANT   | A/B/C/F/G |
| AMI 5,5 VAN       | A/B/C/F/G |
| AMI 6,5/8,0 BUS   | D/E/C     |
| AMI 5,5/7,5 TRUCK | H/I/J     |

## Truck adaptor



- Truck adaptor, NP05, 80301
- Truck adaptor, NP10, 80302
- Truck adaptor, NP15, 80303
- Truck adaptor, NP25, 80304
- Truck adaptor, NH06, 397301-00-00
- Truck adaptor, NH12, 397302-00-00
- Truck adaptor, NH18, 397303-00-00
- Truck adaptor, NH24, 397304-00-00

## Electro-magnetic button operating system

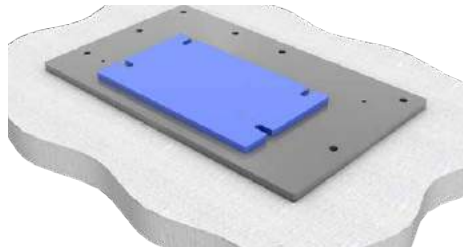


- Electro-magnetic button operating system

### Application:

- AMI 3,6 CLASSIC
- AMI 4,0 VARIANT
- AMI 4,0 PREMIUM
- AMI 5,5 VAN

## Stabilizing plate



- When the ground is not solid enough

### Application:

- AMI 4,0 VARIANT (100 mm) 092600-00-00
- AMI 5,5 VAN (120 mm) 098600-00-00

## Adjustable pads



- Adjustable pads short SP 092852-00-00
- Adjustable pads medium SP 092853-00-00
- Adjustable pads long SP 092851-00-00

### Application:

- AMI 3,0 ECO LINE AMI 4,0 VARIANT
- AMI 3,6 CLASSIC AMI 4,0 PREMIUM

## Zincing baseplate



- Zincing lower part of lift

### Application:

- AMI 3,0 ECO LINE AMI 4,0 PREMIUM
- AMI 3,6 CLASSIC AMI 5,5 VAN
- AMI 4,0 VARIANT AMI 6,5/8,0 BUS

## ELECTROMOBILITY

## Electro box



- EB1 - 092094-00-00



- EB1 - 4 - 092094-02-00



- EB2 - 092095-00-00



- EB3 - 092096-00-00

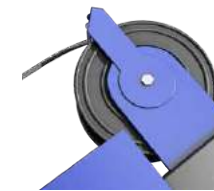
### Application:

- AMI 3,0 ECO LINE AMI 5,5 VAN
- AMI 3,6 CLASSIC AMI 6,5 BUS
- AMI 4,0 VARIANT AMI 8,0 BUS
- AMI 4,0 PREMIUM

## Power supply for charging station



- Separate fuse cable 3Ph/400/32 with integrated socket 3Ph/400/16 092093-00-00



- Air hose reel length: 15 m



- Power reel with thermo fuse length: 12 m

### Application:

- AMI 3,0 ECO LINE AMI 5,5 VAN
- AMI 3,6 CLASSIC AMI 6,5 BUS
- AMI 4,0 VARIANT AMI 8,0 BUS
- AMI 4,0 PREMIUM

## Alternative electrical power supply system

- TN-S 3NPE 220/127V AC, 50Hz
- TN-S 1NPE 230V AC, 50Hz
- IT 3PE 230V AC, 50Hz
- TN-S 3NPE 400/230V AC, 60Hz
- TN-S 3NPE 220/127V AC, 60Hz
- TN-S 3NPE 208/120V AC, 60Hz